

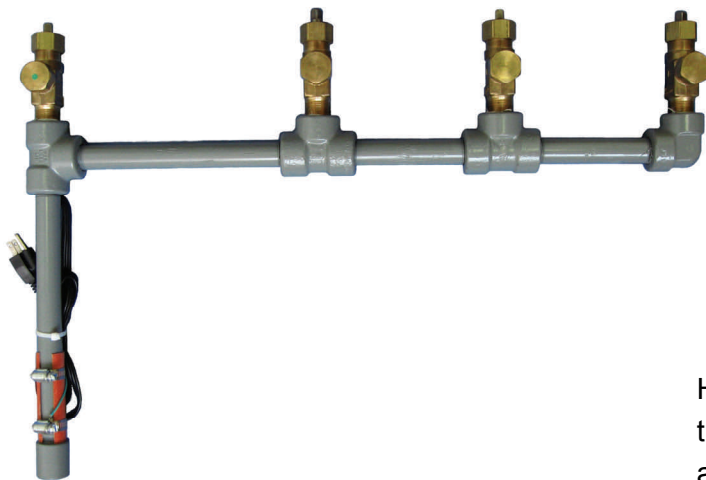


Gas Manifolds

Gas manifolds can be used to allow the withdraw of pressurized gas from multiple 150 lbs./68 kg vertical cylinders to one or more vacuum regulators.

Hydro Instruments offers two distinct types of gas manifolds, Horizontal and Vertical. Both types are available for Chlorine, Sulfur Dioxide, and Ammonia gases.

**This equipment is not intended for Ton containers.*



Hydro Instruments recommends that, where possible, the use of pressurized chlorine manifolds should be avoided. When manifolds must be used they should be designed as short and simple as possible.

Ordering Information

Horizontal Manifolds

| Part Number | Description |
|-------------|-----------------------------------|
| HM-121 | Single (1) connection, Horizontal |
| HM-122 | Dual (2) connection, Horizontal |
| HM-123 | Triple (3) connection, Horizontal |
| HM-124 | Quad (4) connection, Horizontal |

All horizontal manifolds include:

- One Header Valve (unless specified differently)
- One additional Header Valve for every connection
- 25 Watt heater (24V DC, 120V AC, or 240V AC)
- Includes wall mounting brackets
- Flexible connector for each connection (FX-06)
- Isolation valve assembly for each connection (IVH-100-500)

Vertical Manifolds

| Part Number | Description |
|-------------|---------------------------------|
| MA-1 | Single (1) connection, Vertical |
| MA-2 | Dual (2) connection, Vertical |
| MA-3 | Triple (3) connection, Vertical |
| MA-4 | Quad (4) connection, Vertical |

All vertical manifolds include:

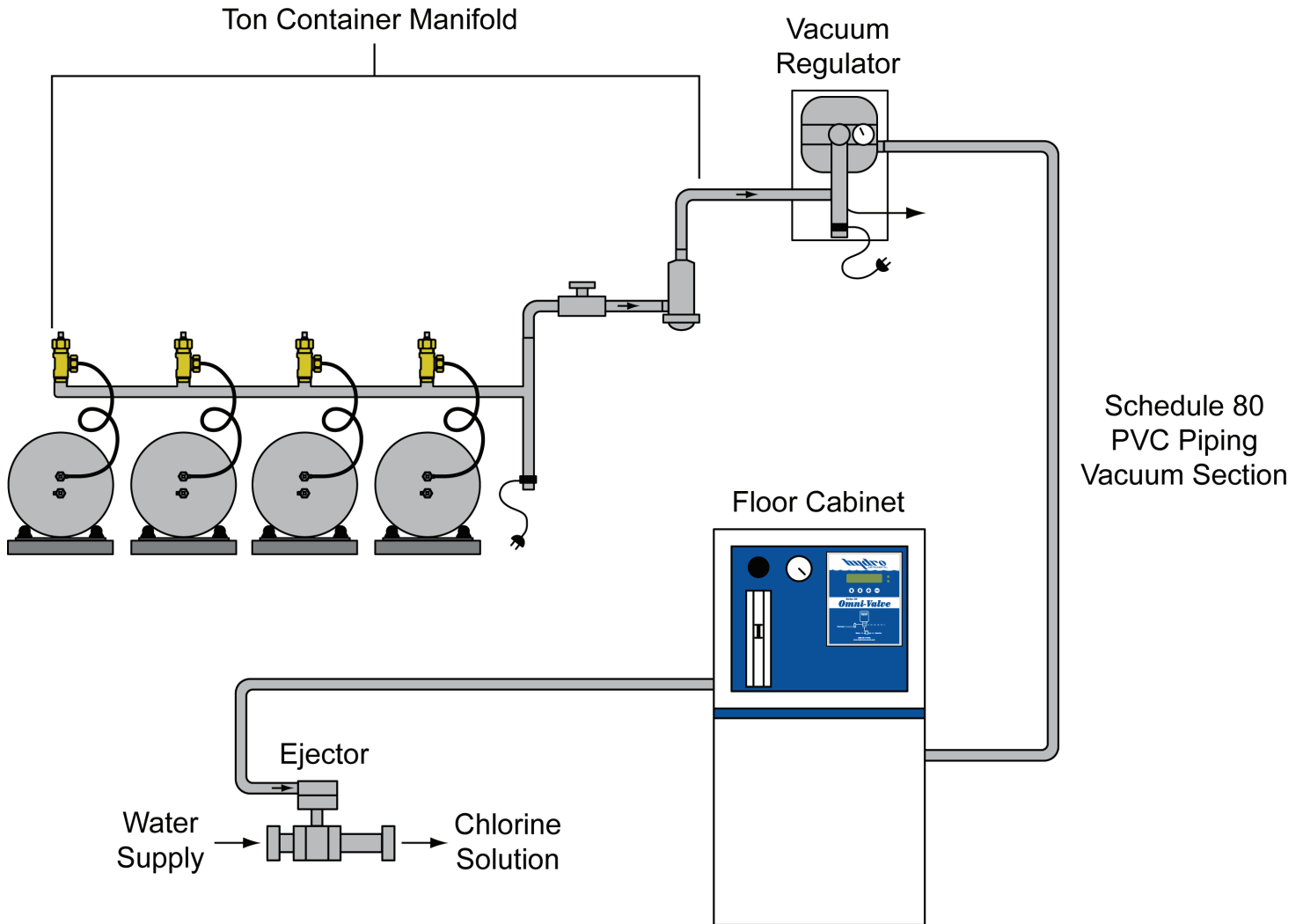
- One Header Valve
- 25 Watt heater (24V DC, 120V AC, or 240V AC)
- Inlet connections are CGA No. 820 male threads
- Includes wall mounting brackets
- Flexible connector for each connection (FX-06)



Ton Container Gas Manifolds

For design and selection of manifolds for Ton container systems, please consult Hydro Instruments document TCM-DC Ton Container Manifold Design Considerations for Chlorine Gas Manifolds. In general each manifold is custom designed to the particular application and priced according to the individual components required. Hydro Instruments does offer manifold sets that include the inlet section and drip legs for ton container manifolds. (See the next page for details.)

Consult your Hydro Instruments distributor or Hydro Instruments for assistance.



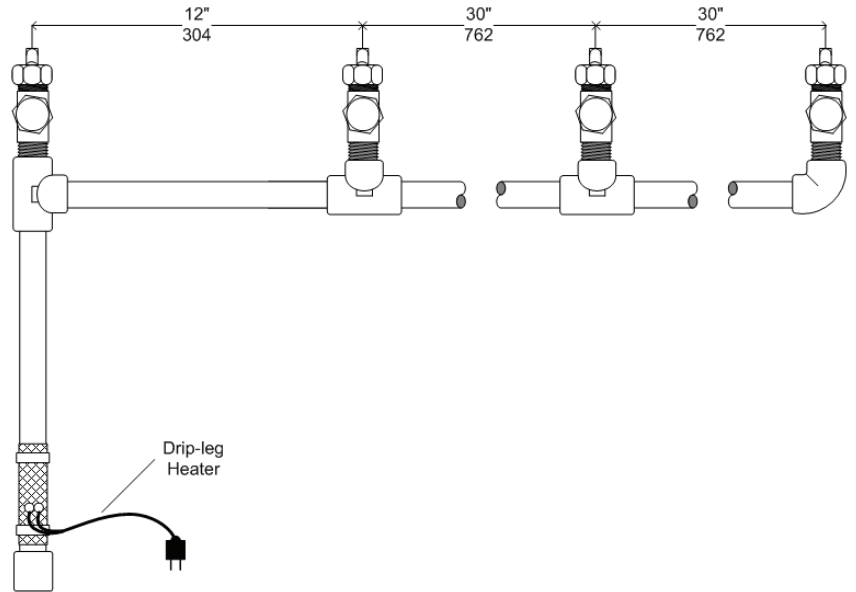
**Manifolds for connection to Chlorine and Sulfur Dioxide Ton containers typically require some assembly on site.*



Ton Container Gas Manifolds

Horizontal Manifolds

For use with Cl₂ or SO₂ ton containers.



| Part Number | Description | Shipping Weight |
|-------------|---------------------------------------|------------------|
| HMT-121 | One connection, Horizontal manifold | 18 lbs. / 8 kg. |
| HMT-122 | Two connection, Horizontal manifold | 32 lbs. / 15 kg. |
| HMT-123 | Three connection, Horizontal manifold | 45 lbs. / 20 kg. |
| HMT-124 | Four connection, Horizontal manifold | 64 lbs. / 29 kg. |
| HMT-125 | Five connection, Horizontal manifold | 80 lbs. / 36 kg. |

Horizontal ton container manifold notes:

- Header valve outlet for vacuum regulator mounting unless other outlet requirements are specified when ordering.
- HMT-121, HMT-122, HMT-123 Manifold sets are supplied with one drip-leg and heater.
- HMT-124 and HMT-125 Manifold sets are supplied with two drip-legs and heaters.
- 30" spacing provided between inlet connections.*
- With each connection is included:
 - (1) FX-06 flex connector
 - (1) IVH-100-500 isolation valve assembly
- Includes wall mounting brackets.
- For additional options consult the factory.

*Manifolds are shipped in pieces and require some assembly upon installation.